

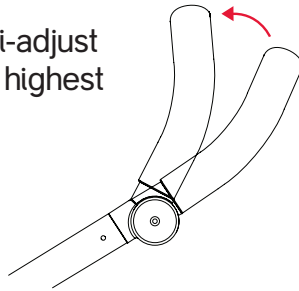
Please read ALL the instructions and look CAREFULLY at the pictures. Trust us; this will really help!!!

Folding without double kit attached, or with the double kit on front of the buggy in toddler/newborn position.

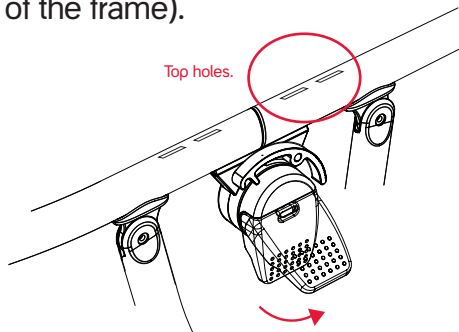
Note The double kit must be attached to the top set of holes if you wish to leave it on while folding the buggy, see image **b**.

Note If you would like to tow the buggy like a trolley once folded, leave the brake off and the bumper bar attached. (Super useful in airports and the like!)

a Rotate the multi-adjust handle into the highest position.

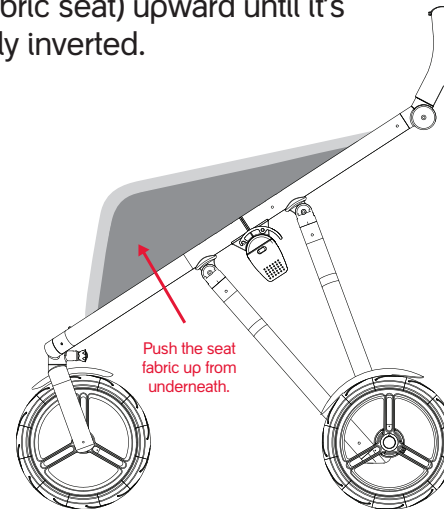


b Open both of the black hinge locks. (Those paddle things on either side of the frame).

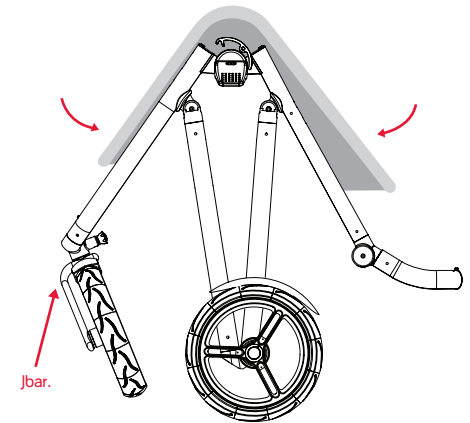
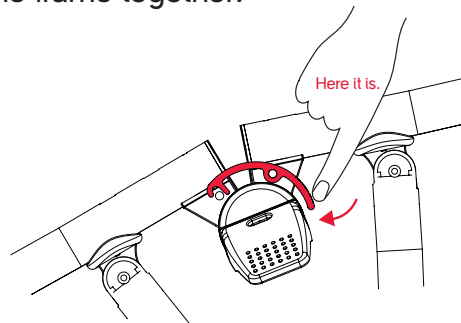


c Make sure the front wheel is in swivel mode and the child harness is undone.

d Push the main seat base (fabric seat) upward until it's fully inverted.

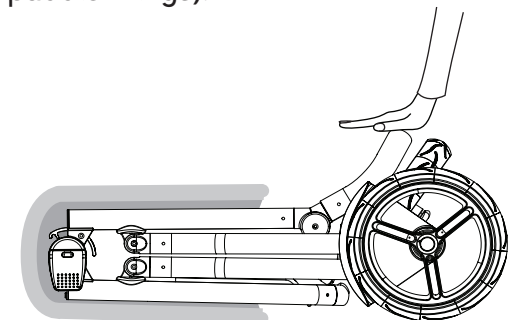


e Ensuring that the parcel tray is folded upwards at the centre, depress the red safety latch and fold the frame together.



Note When fully folded the front wheel should rest on the buggy handle with the Jbar facing outwards. (The Jbar is the black plastic bit, shaped like an upside down 'J', connected to the front wheel axle).

f Lay the buggy on the ground with the handle facing upwards and close both of the black hinge locks, (those same paddle things).

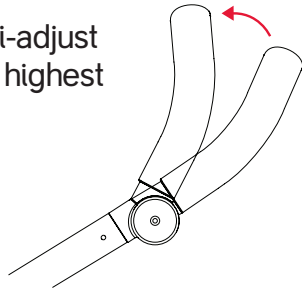


done!

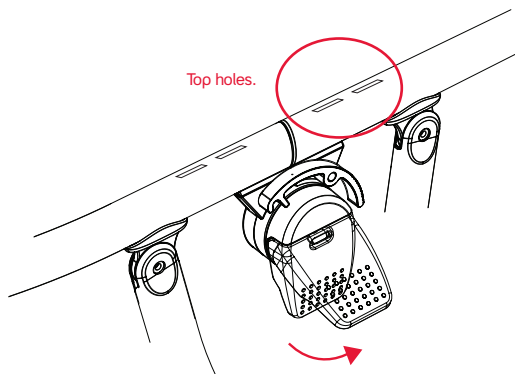
Folding with the double kit in rear position

Note If you would like to tow the buggy like a trolley once folded, leave the brake off and the bumper bar attached. (Super useful in airports and the like!)

- a Rotate the multi-adjust handle into the highest position.

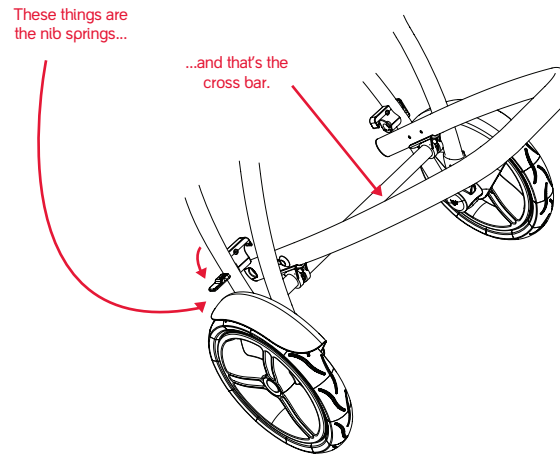


- b Open both of the black hinge locks. (Those paddle things on either side of the frame).

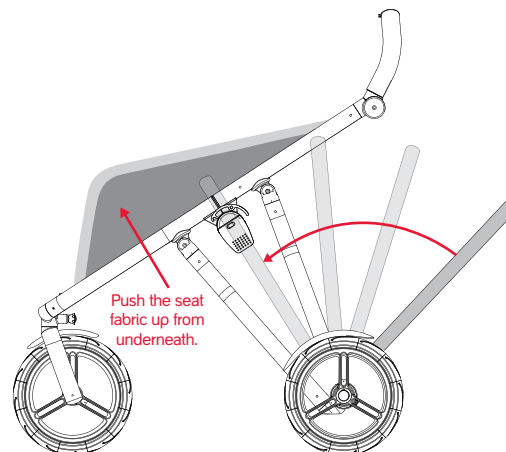


- c Make sure the front wheel is in swivel mode and the child harness is undone.

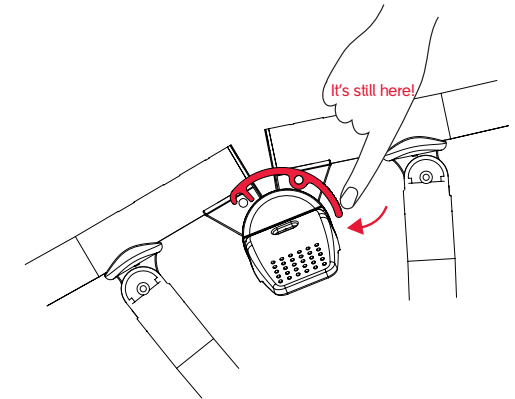
- d Open the double kit nib springs, allowing the double kit to pivot on the cross bar.



- e Push the main seat base (fabric seat) upward until it's fully inverted. Push the double kit forward into the inverted seat base.

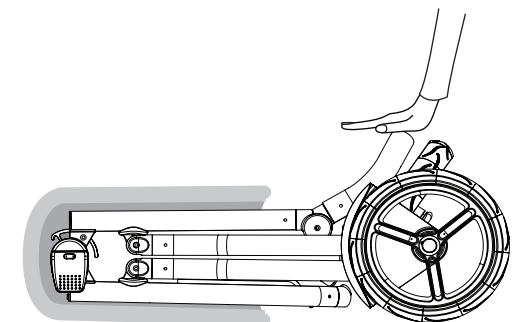


- f Ensuring that the parcel tray is folded upwards at the centre, depress the red safety latch and fold the frame together.



Note When fully folded the front wheel should rest on the buggy handle with the Jbar facing outwards. (The Jbar is the black plastic bit, shaped like an upside down 'J', connected to the front wheel axle).

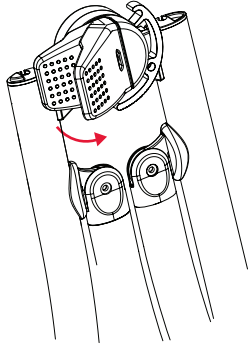
- g Lay the buggy on the ground with the handle facing upwards and close both of the black hinge locks, (those same paddle things).



done!

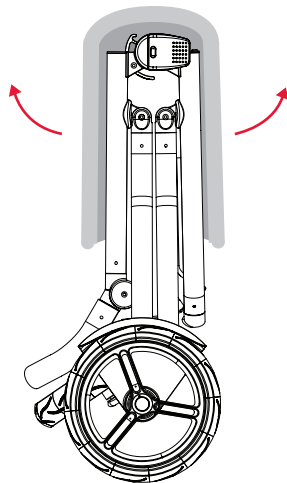
Unfolding without double kit attached, or with the double kit on front of the buggy in toddler/newborn position.

- a Open both of the black hinge locks. (The black paddle things on each side of the frame).

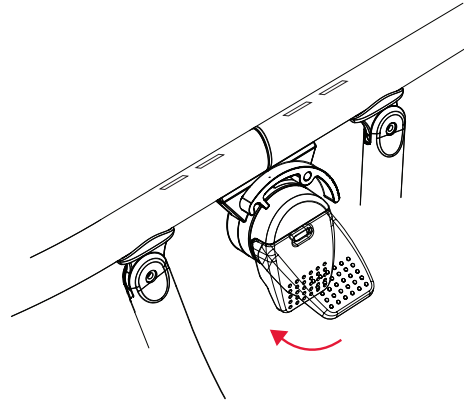


- b Unfold the frame (the red safety latch will auto engage when the buggy is fully unfolded).

Note Sometimes the frame will lock and needs to be pushed together to release.



- c Close both of the black hinge locks. (Those paddle things on either side of the frame).

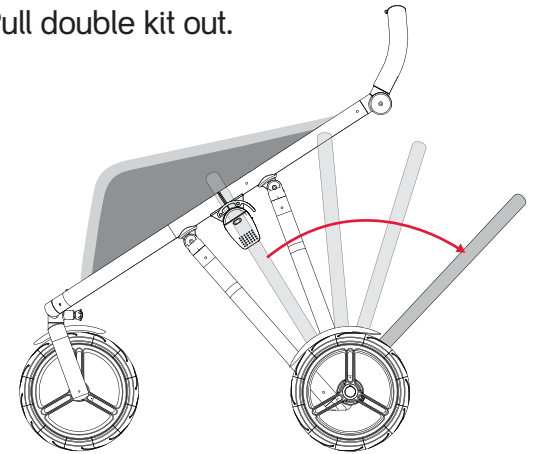


- d Push the main seat base (fabric seat) down and GO GO GO..!

Unfolding with the double kit in rear position.

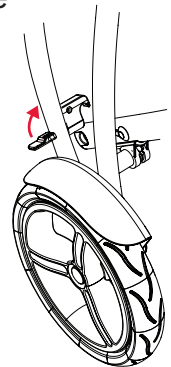
- e Repeat unfolding instructions a-c.

- f Pull double kit out.



WARNING: THIS IS IMPORTANT

- g Be sure to re-engage the double kit nib springs.



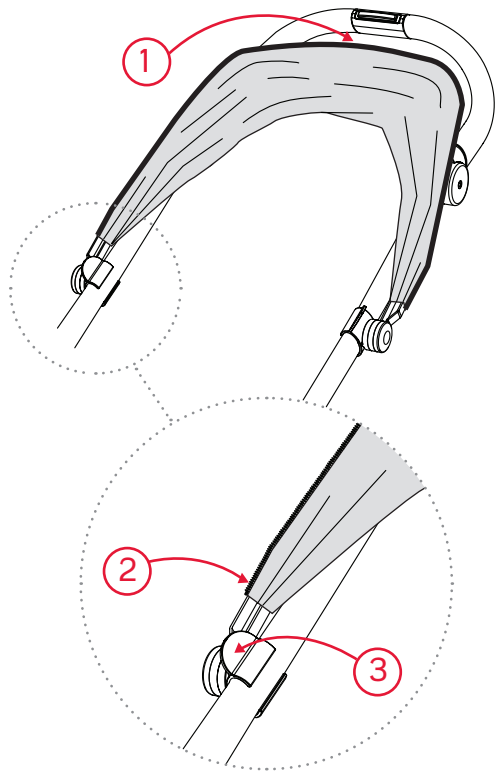
- h Push the main seat base (fabric seat) down and GO GO GO..!

done!

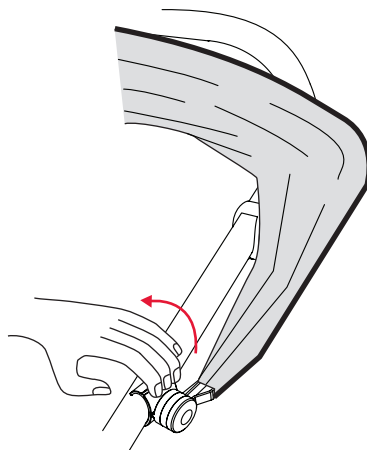
To attach

a Position the vibe sunhood above the vibe buggy frame ensuring that:

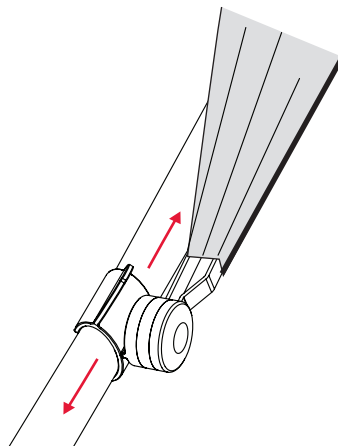
- 1 The top of the sunhood is clear of the handle.
- 2 The zip is facing upward.
- 3 The sunhood frame clip tab is on the top of the buggy frame.



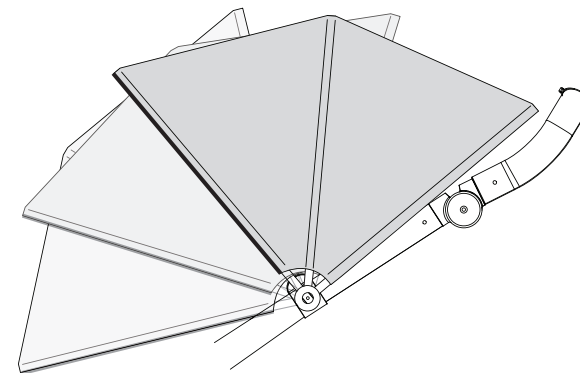
b The hood attaches to the buggy frame using the two clips (on either side of the hood). We'd suggest you attach the underside of the clip first.



c Slide the hood up or down the buggy frame, to the height that best suits you.

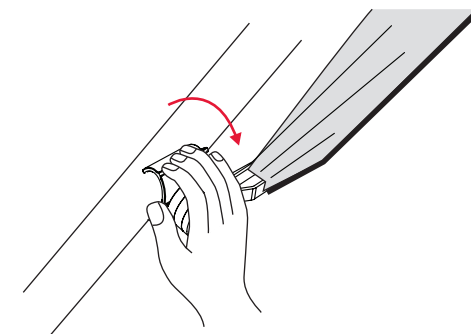


d Open the sunhood into desired position.



To remove

e Pull the sunhood clip tab outward and away from the buggy frame.



done!