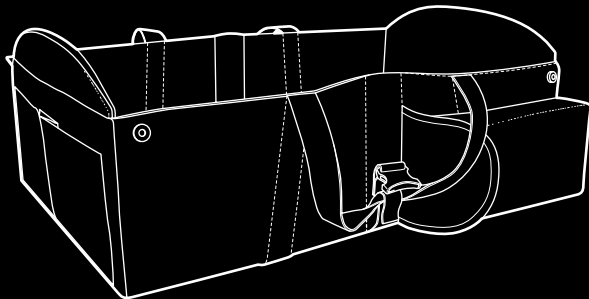


# instructions



## travel tot lite

IMPORTANT: Please read instructions carefully  
and keep for future reference

Mamas & Papas

# TRAVEL TOT LITE

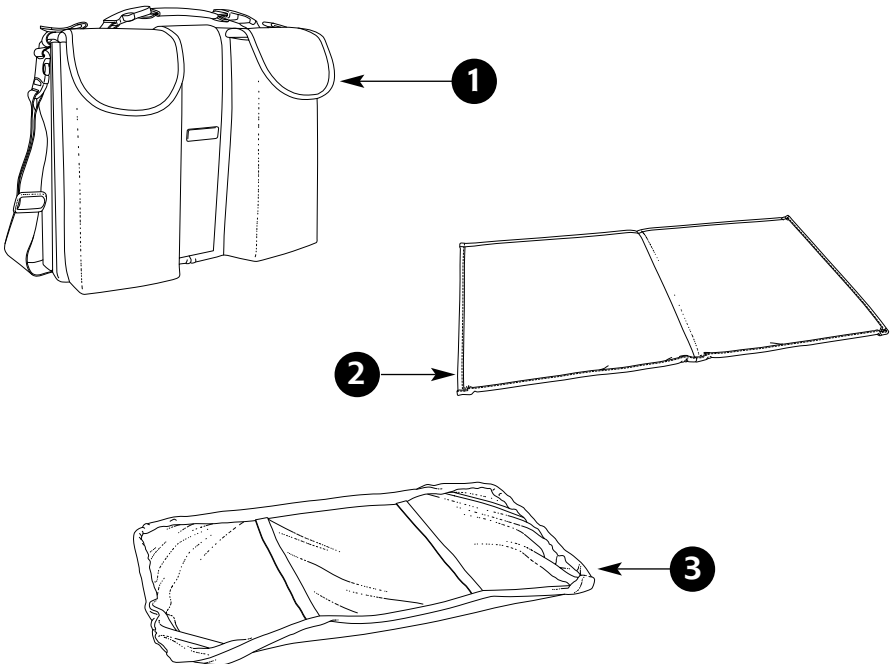
**THESE INSTRUCTIONS ARE IMPORTANT. PLEASE READ CAREFULLY BEFORE USE AND RETAIN FOR FUTURE REFERENCE.**

The correct use and maintenance of your Travel Tot Lite will ensure it gives long and trouble-free use. When somebody else is using your Travel Tot Lite, ensure they also know how to use it, how to adjust it and the necessary safety precautions. The safety of your child is your responsibility.



**AFTER SALES SERVICE:** If when you receive your Mamas & Papas product you need assistance, spare parts or if you are unhappy with any aspect of the goods please **contact your retailer or our Customer Care Helpline on: 01484 438222**, or e-mail us on [customer.care@mamasandpapas.co.uk](mailto:customer.care@mamasandpapas.co.uk) where one of our trained advisors will be able to help you in order to avoid having to return your product to the retailer. You can also visit our website at [www.mamasandpapas.co.uk](http://www.mamasandpapas.co.uk) for the latest product information.

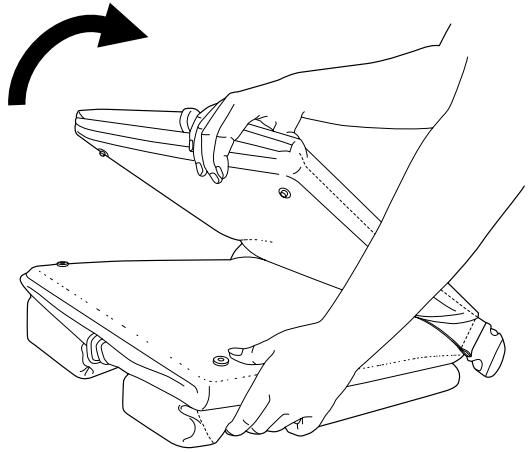
## FEATURES



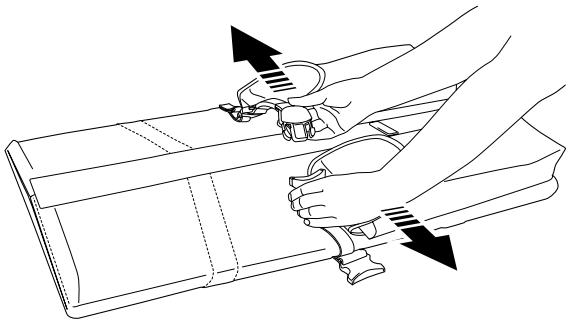
Item	Description	Qty	Item	Description	Qty
1	Travel Tot Lite	1	3	Mattress cover	2
2	Mattress	1			

## OPENING THE TRAVEL TOT LITE

Unfold the Travel Tot Lite by pulling open the two press studs.

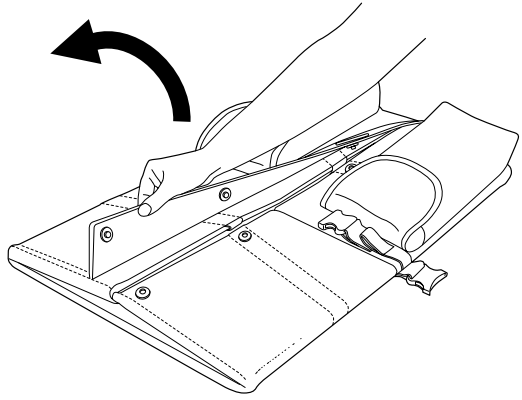


Lay the Travel Tot Lite flat with the pockets facing upwards. Unfasten one buckle on the carrying handle and one buckle on the shoulder strap.

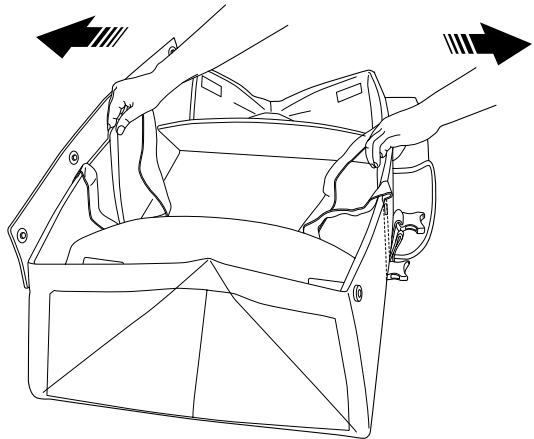


## OPENING THE TRAVEL TOT LITE

Open the central flap by undoing the four press studs.

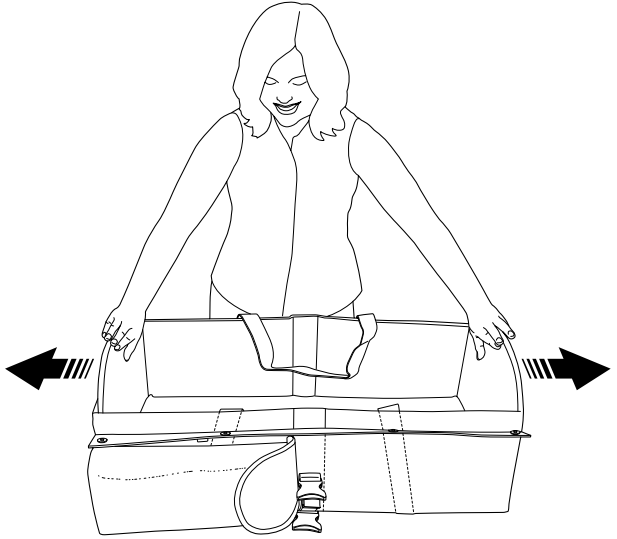


Grip the long folded sides of the Travel Tot Lite and pull them upwards and apart to elevate the tot sides.



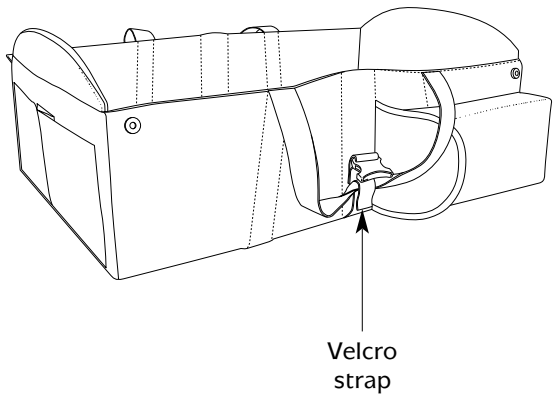
## OPENING THE TRAVEL TOT LITE

Push the short sides outwards ensuring that the velcro patches are correctly aligned and attached.



Secure the handles using the velcro straps located on the side of the Travel Tot Lite.

**Caution: Before use, remove all packaging and plastic film protecting metal parts, handle and shoulder strap.**

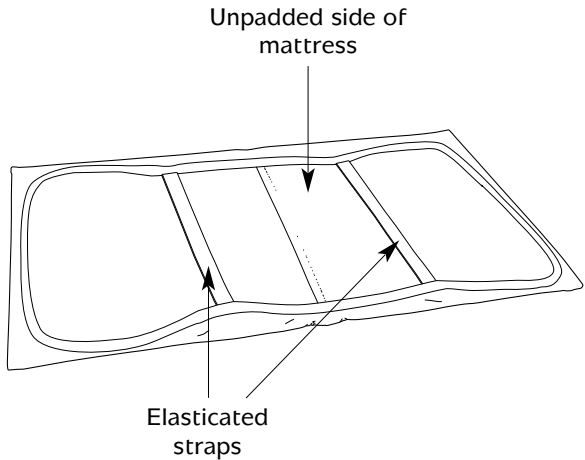


## FITTING THE MATTRESS COVER

Open the Travel Tot Lite and remove the mattress.

Retrieve the mattress cover from one of the large pockets on the side of the Travel Tot Lite.

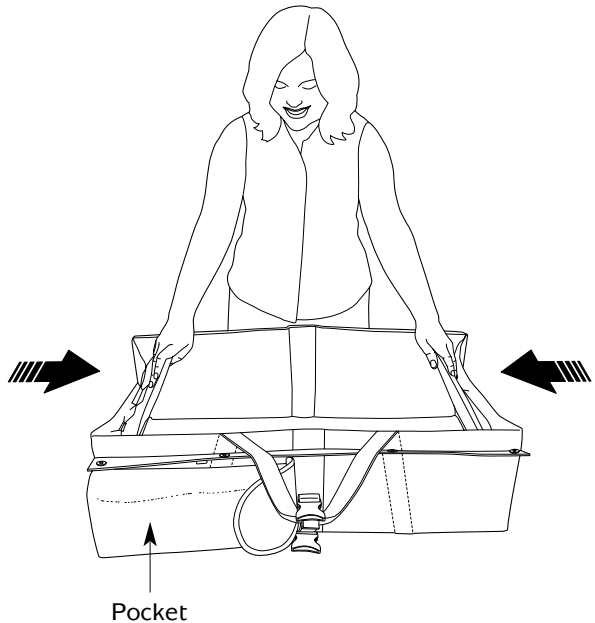
Fit the mattress cover over the padded side of the mattress and return it to the Travel Tot Lite ensuring that the two elasticated straps are facing downwards.



## CLOSING THE TRAVEL TOT LITE

**Note:** Ensure that the handles are released from the velcro straps and tucked inside the Travel Tot Lite before folding. Also ensure that the mattress is placed upside down in the base of the Travel Tot Lite.

Push the rigid short sides of the Travel Tot Lite inwards and down until they lie flat on the mattress. The long sides are pulled down by doing this and the Travel Tot Lite can now be folded back into the portable case.



## INSTRUCTIONS FOR SAFE USE

1. **WARNING:** This product is suitable for a child who cannot sit up by itself, roll over and cannot push itself up on its hands and knees. Maximum weight for the child: 9kg.
2. The safety of your child is your responsibility.
3. Never leave your child unattended in this Travel Tot Lite for any reason.
4. Take care when setting the Travel Tot Lite down on the floor with a child inside.
5. This Travel Tot Lite is not suitable for use with any carrycot stands.
6. Use only the mattress supplied.
7. Use only on a firm, horizontal, level and dry surface.
8. Do not let other children play unattended near the Travel Tot Lite.
9. Do not use if any part is broken, torn or missing.
10. Use only replacement parts supplied or approved by the manufacturer.
11. Be aware of the risk of open fires and other sources of strong heat, such as electric bar fires, gas fires, etc., in the near vicinity of the Travel Tot Lite.
12. Refer to the individual product care labels for washing instructions.
13. Prolonged and direct exposure to the bright sunlight can change the fabrics colours. Try to limit if possible.
14. Regularly check your Travel Tot Lite for any damage. If the product is damaged do not use and contact Mamas & Papas customer Care for advice.
15. The Travel Tot Lite is not a replacement for a cot, crib or Moses basket.
16. The Travel Tot Lite handles and base should be inspected regularly for damage and wear.
17. When using the Travel Tot Lite do not store anything in the pockets that may be hazardous to the child.



**AFTER SALES SERVICE:** If when you receive your Mamas & Papas product you need assistance, spare parts or if you are unhappy with any aspect of the goods please **contact your retailer or our Customer Care Helpline on: 01484 438222**, or e-mail us on **customer.care@mamasandpapas.co.uk** where one of our trained advisors will be able to help you in order to avoid having to return your product to the retailer. You can also visit our website at **www.mamasandpapas.co.uk** for the latest product information.

### ALL OUR PRODUCTS ARE MADE FROM THE FINEST QUALITY MATERIALS AND ARE MANUFACTURED UNDER THE STRICTEST QUALITY CONTROLS

We guarantee all our products or part thereof, for a period of six months from the date of delivery to the consumer against faulty manufacture. This guarantee is not effective against damage caused as a result of incorrect usage of the product or accidental damage. This in no way affects your statutory rights.

## GUARANTEE

To validate this guarantee, please fill in the coupon and return to:  
**Mamas & Papas Ltd**, Colne Bridge Road, Huddersfield, West Yorkshire, HD5 0RH.  
 Or alternatively, call our Guarantee Registration Line on 01484 438225 with your details.

Name ..... Address .....

..... Postcode .....

Retailer ..... Home Phone No. .... Baby's Date of Birth .....

Item purchased **Travel Tot Lite** Purchase Price ..... Date .....

By validating your guarantee, your information will be entered onto our database. If you do not wish to receive information from other reputable companies, please let us know.

[www.mamasandpapas.co.uk](http://www.mamasandpapas.co.uk)

Mamas & Papas Limited  
Colne Bridge Road  
Huddersfield HD5 0RH

customer care helpline: 01484 438222  
customer care e-mail: [customer.care@mamasandpapas.co.uk](mailto:customer.care@mamasandpapas.co.uk)