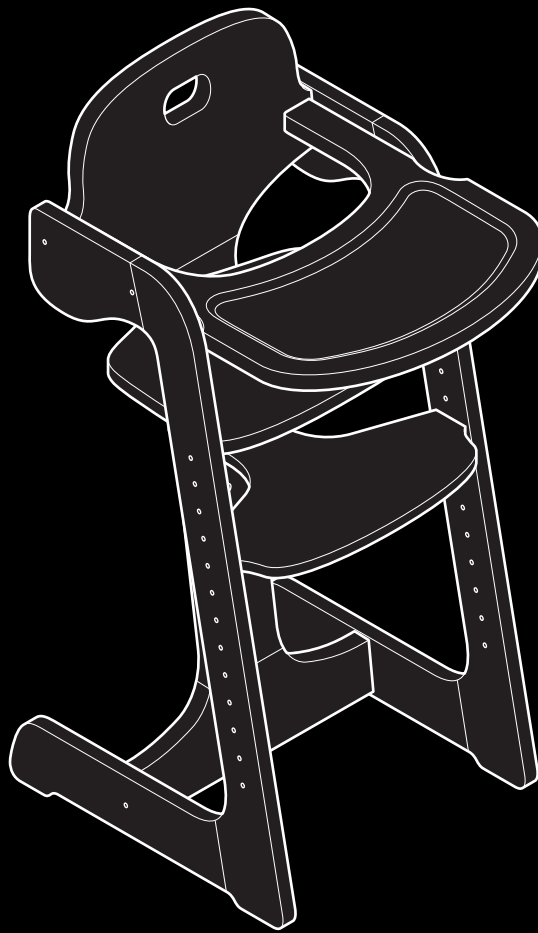


instructions



cuisine highchair

NE062: V1/04/05

IMPORTANT: Please read instructions carefully
and keep for future reference

Mamas & Papas

CUISINE HIGHCHAIR

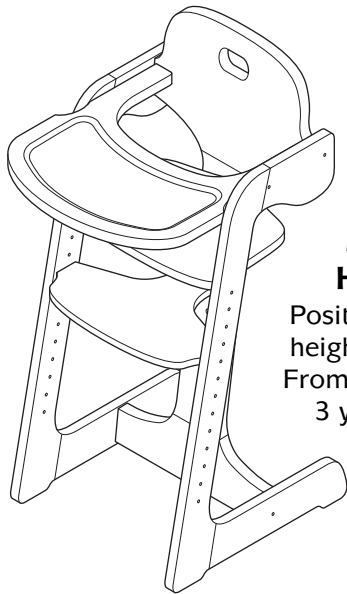
THESE INSTRUCTIONS ARE IMPORTANT. PLEASE READ THEM CAREFULLY AND RETAIN FOR FUTURE REFERENCE.

The correct use and maintenance of your highchair will ensure it gives long and trouble-free use. When somebody else is using your highchair, ensure they also know how to use it. The safety of your child is your responsibility.

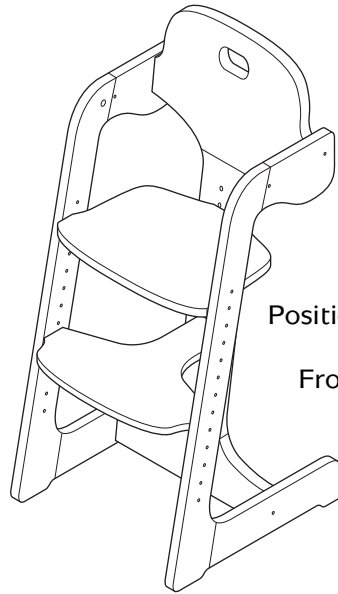
BEFORE ASSEMBLY

- Unpack all the parts and identify them against the fittings and components lists.
- Do not discard any packaging until you are sure you have all the parts and the pack of fittings.
- If you do find that any parts are missing or damaged contact us by calling 0870 8307700.
DO NOT RETURN YOUR PRODUCT TO THE RETAILER.
- Read the instructions thoroughly before attempting to construct the highchair.
- You may find the construction of your highchair easier if you have the help of another person.
- Follow each stage of construction step-by-step.

FEATURES

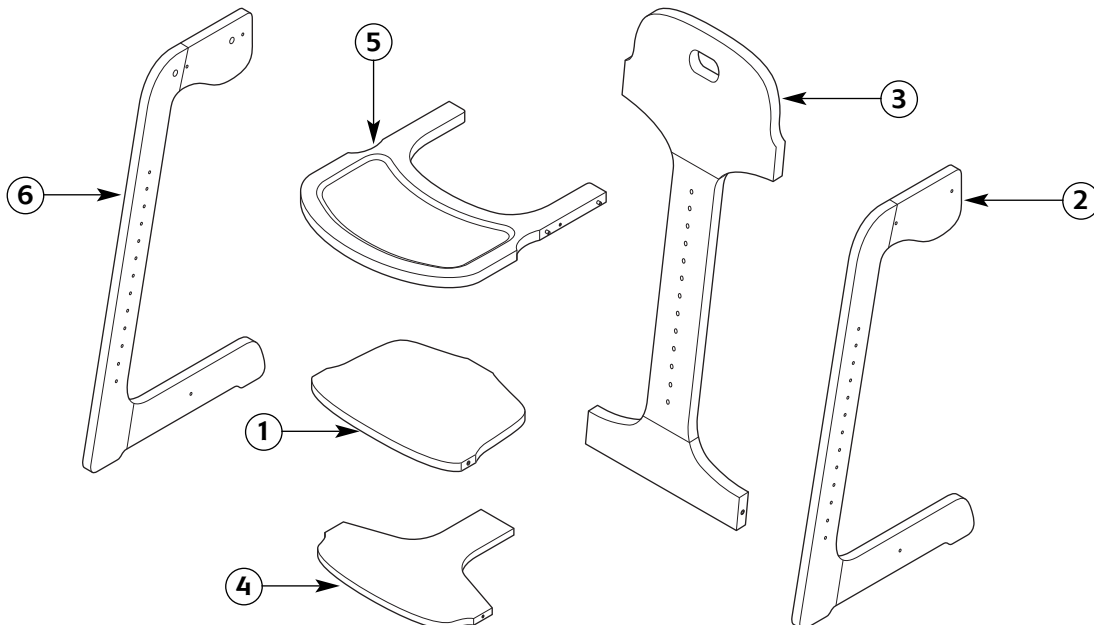


**Mode 1:
Highchair**
Position seat in top height setting only.
From 4-6 months to 3 years approx.



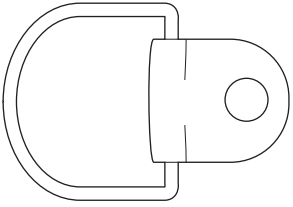
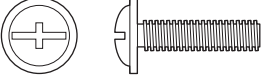

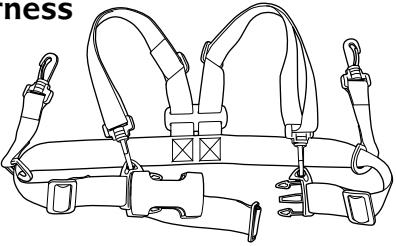
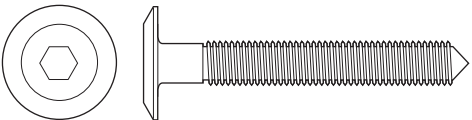
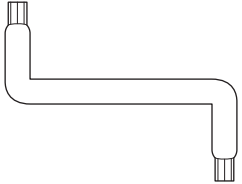
**Mode 2:
Junior chair**
Position seat in any height setting.
From 3 years approx.

MAIN COMPONENTS



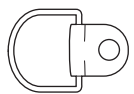
Item	Description	Prod. Code	Qty.	Item	Description	Prod. Code	Qty.
1	Seat	-	1	4	Footrest	-	1
2	Right leg	-	1	5	Tray	4098-----005	1
3	Back	-	1	6	Left leg	-	1

FITTINGS LIST

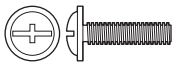
<p>Item A</p> <p>Description D-rings</p> <p>Qty. 2</p> 	<p>Item B</p> <p>Description Short screws</p> <p>Qty. 3</p> 
<p>Item C</p> <p>Description Washers</p> <p>Qty. 3</p> 	<p>Item D</p> <p>Description Harness</p> <p>Qty. 1</p> 
<p>Item E</p> <p>Description Long screws</p> <p>Qty. 10</p> 	<p>Item F</p> <p>Description Allen key</p> <p>Qty. 1</p> 

FITTINGS

A / D-rings x 2



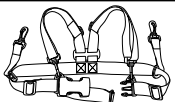
B / Short screws x 3



C / Washers x 3



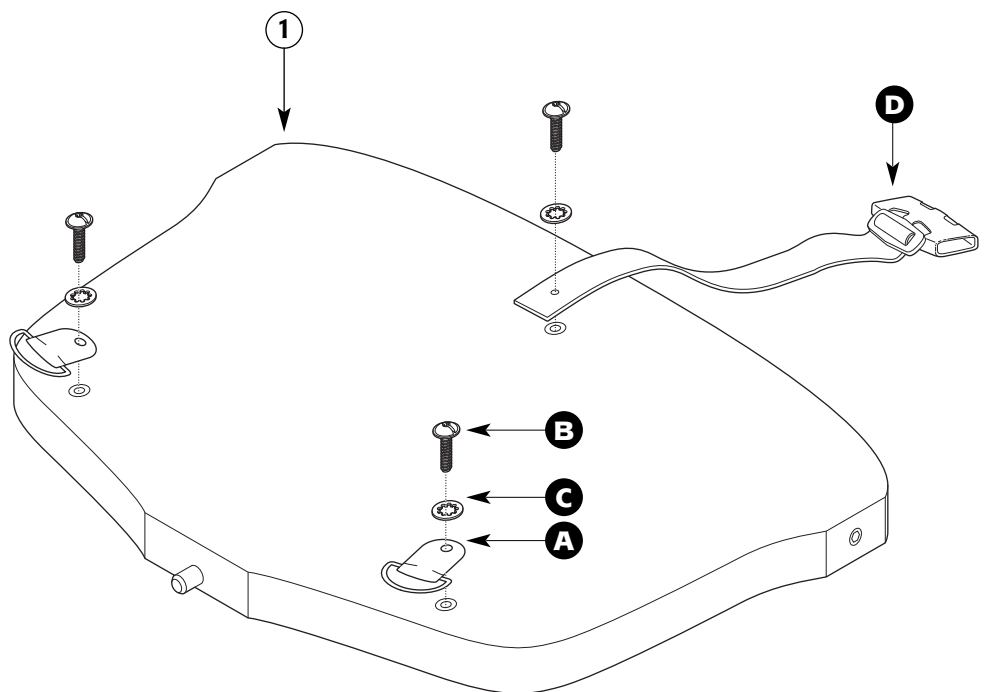
D / Harness x 1

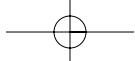


Step 1

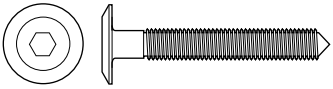
Attach the two D-rings (**A**) to the back of the seat using two short screws (**B**) and two washers (**C**).

Attach the crotch strap section of the harness (**D**) to the front of the seat using a short screw and a washer. Use a cross-head screwdriver to tighten the screws.





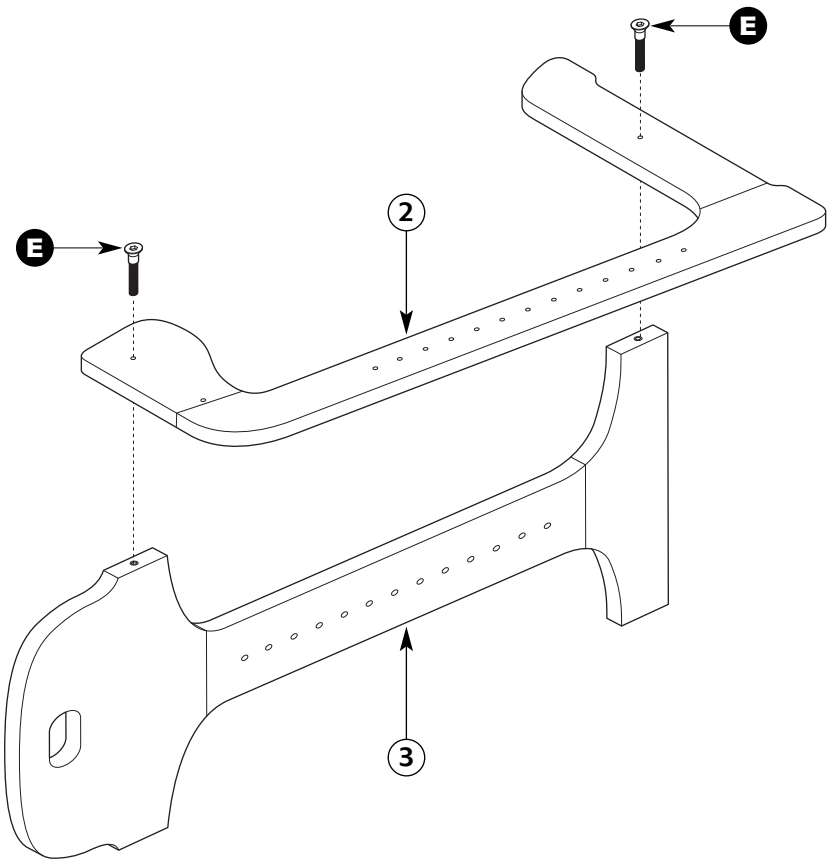
FITTINGS



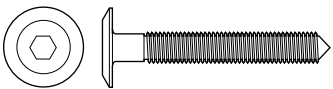
E / Long screws x 2

Step 2

Attach the right leg (2) to the back (3) using two long screws (E). Use the allen key (F) to tighten the screws.



FITTINGS

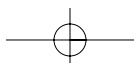
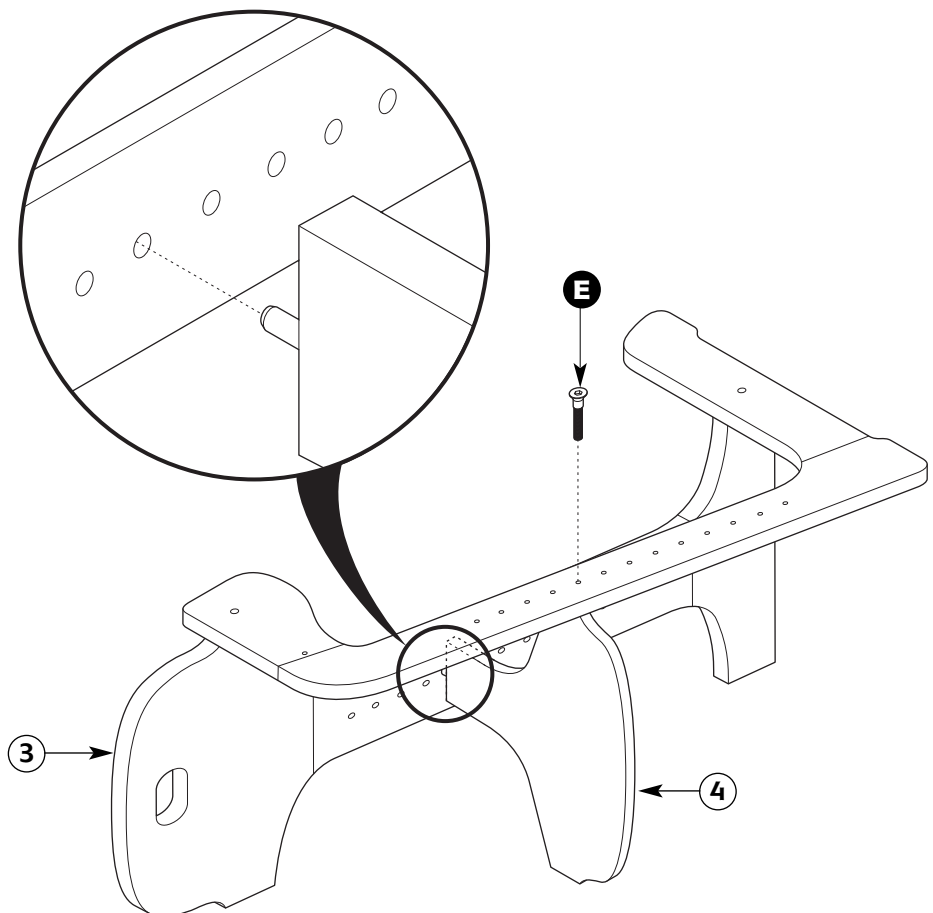


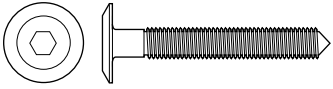
E / Long screw x 1

Step 3

Slot the pre-fitted dowel in the back edge of the footrest (4) into the required height hole in the back (3).

Fasten the side of the footrest to the right leg using a long screw (E). Use the allen key (F) to tighten the screw.



FITTINGS

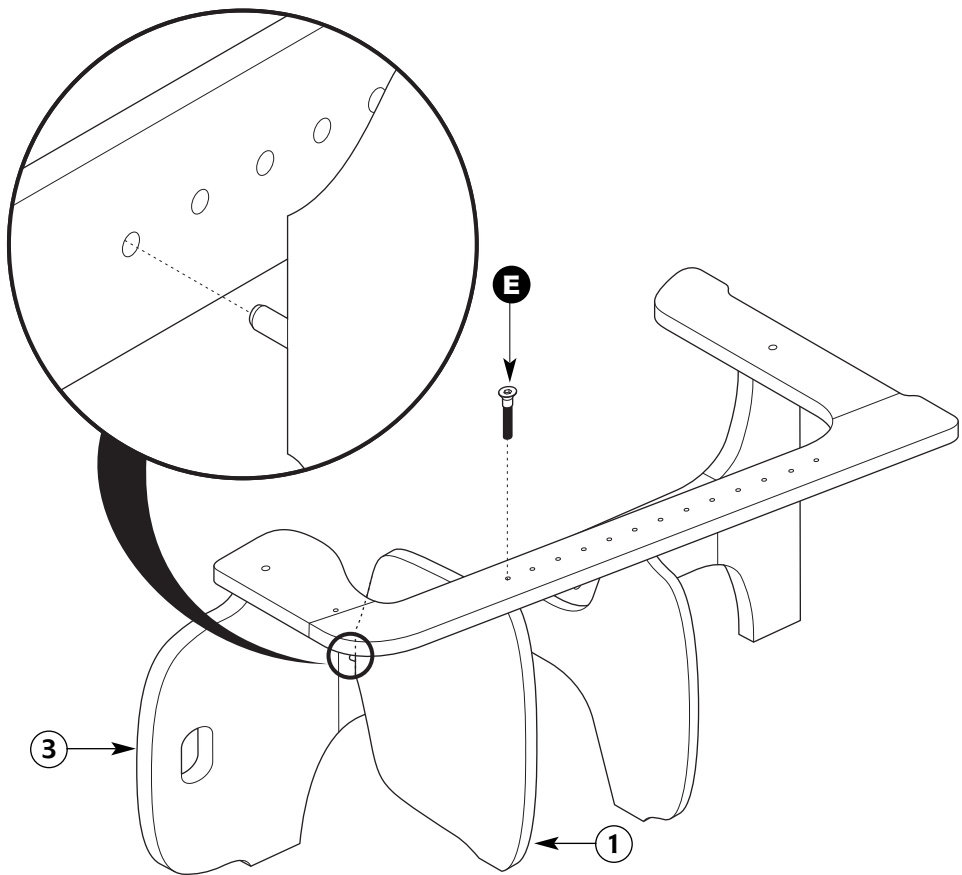
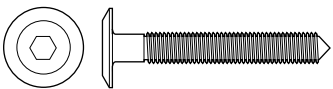
E / Long screw x 1

Step 4

Slot the pre-fitted dowel in the back edge of the seat (1) into the required height hole in the back (3). Ensure the D-rings are on the underside of the seat.

Fasten the side of the seat to the right leg using a long screw (E). Use the allen key (F) to tighten the screw.

Important: When using the product in Mode 1 as a highchair (see page 2), the seat (1) **MUST** be fitted in the top height setting.

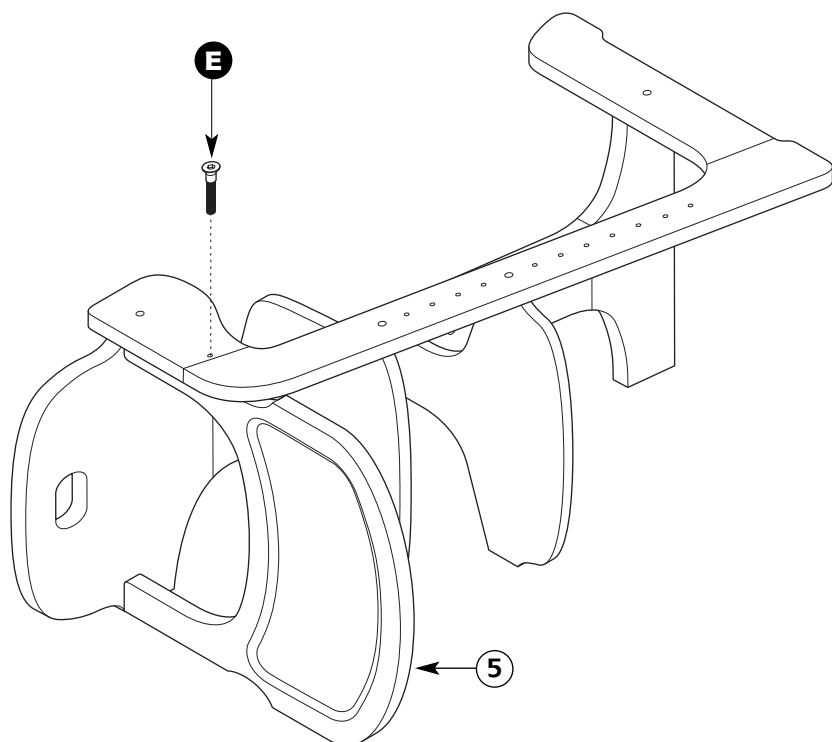
**FITTINGS**

E / Long screw x 1

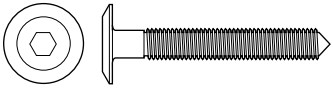
Step 5

Slot the pre-fitted dowels on the side of the tray (5) into the holes in the right leg.

Fix the tray in place using a long screw (E). Use the allen key (F) to tighten the screw.



FITTINGS

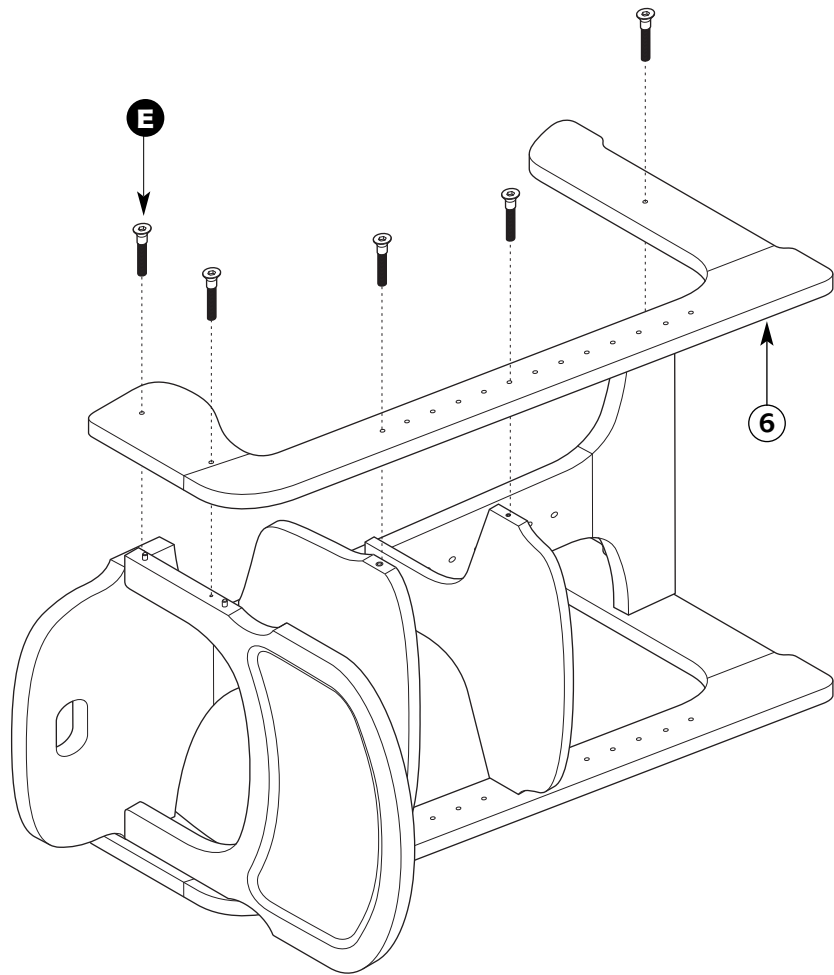


E / Long screws x 5

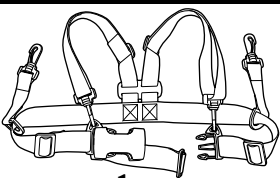
Step 6

Attach the left leg (6) to the back, tray, seat and footrest. Ensure the pre-fitted dowels on the side of the tray fit into the holes in the inside face of the left leg.

Attach the back, tray, seat and footrest to the left leg using the same height holes used to attach the right leg. Screw in five long screws (E) and use the allen key (F) to tighten them.



FITTINGS

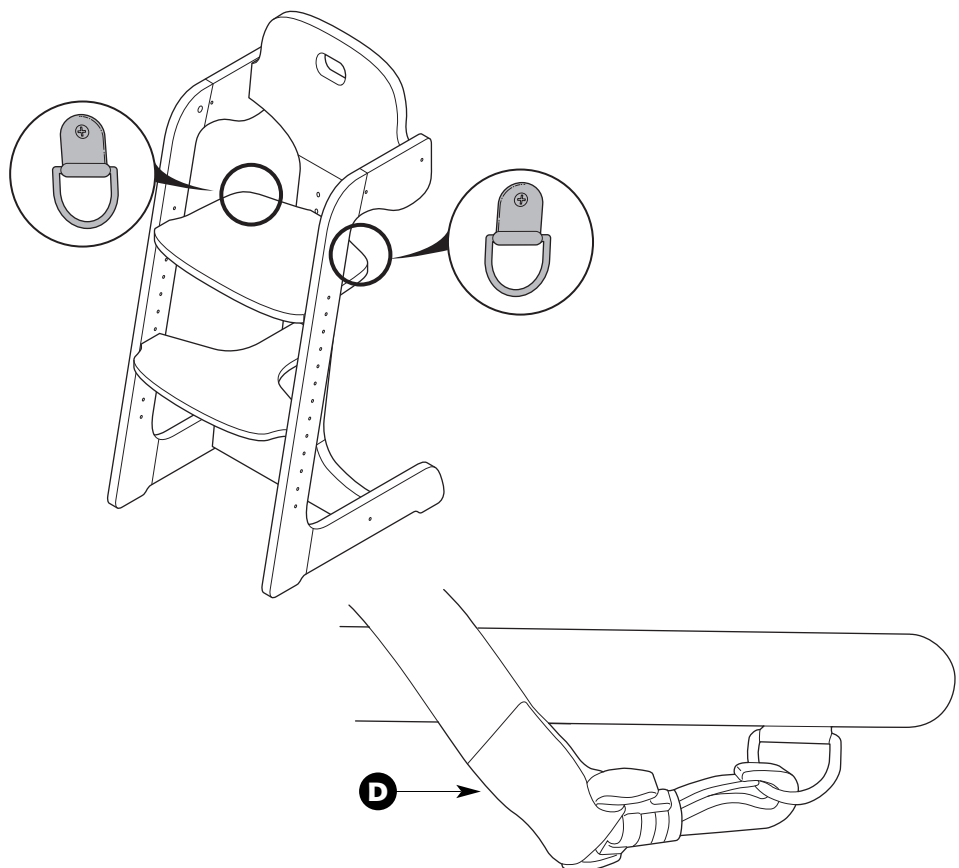


D / Harness x 1

Step 7

Attach the two clips on the ends of the waist strap section of the harness (D) to the D-rings on the underside of the seat.

Before placing your child in the highchair always check that the clips are properly connected and the straps are correctly adjusted. See 'Operating the Harness' on page 7.

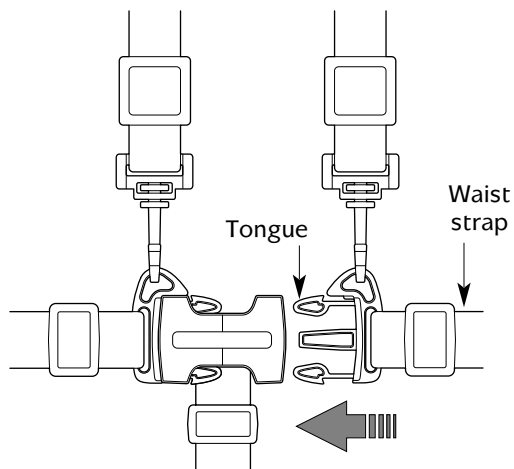


OPERATING THE HARNESS

Locking the harness:

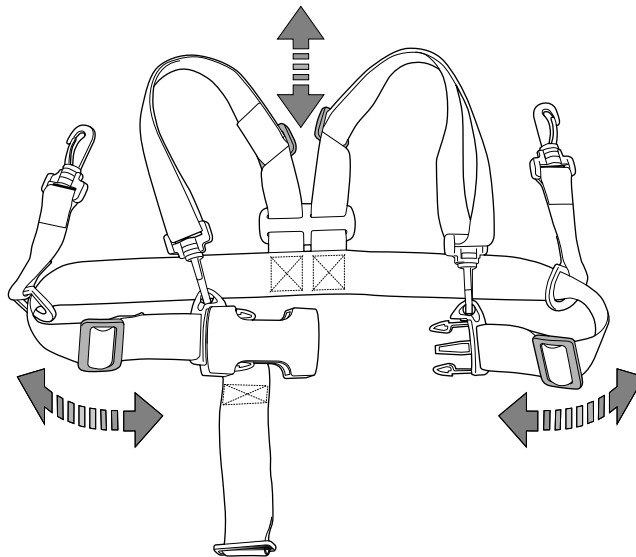
Push the tongues on the ends of the waist strap into the buckle.

The harness will automatically lock when the tongues have been fully inserted.



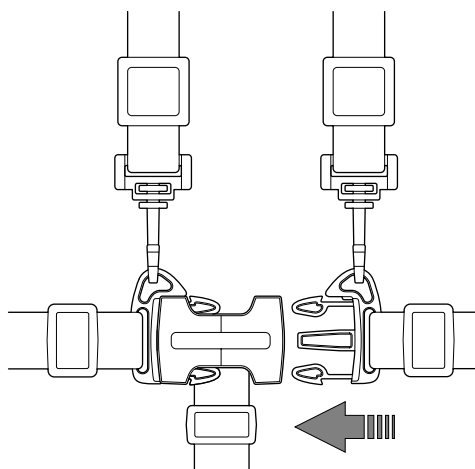
Unlocking the harness:

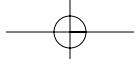
Squeeze the tongues together on one end of the waist strap **1** and then slide them out of the buckle **2**. Your child can now be removed from the highchair.



Adjusting the length of the harness:

Slide the buckles on the waist strap and shoulder straps forwards or backwards until the desired length is reached.





INSTRUCTIONS FOR SAFE USE & MAINTENANCE

- **WARNING: A CHILD’S SAFETY IS YOUR RESPONSIBILITY.**
- **DO NOT LEAVE YOUR CHILD UNATTENDED.**
- Always use a safety harness. Ensure the waist belt fits snugly around the child’s waist. We recommend that you use an additional safety harness complying with BS6684 clipping it to the D-rings on the underside of the seat.
- Always ensure the highchair is on a level and stable surface before use.
- Ensure that all hazards such as small objects, sharp or hot items and electrical flexes are kept out of your child’s reach.
- Do not place your highchair in close proximity to a radiator or other heat source.
- Clean your highchair with a damp cloth or sponge. Do not use abrasives or bleach.
- Regularly check that all fittings and components of the highchair are fully tightened and in working order. If any parts have become worn or damaged then do not use the highchair and seek advice by calling Customer Services on: **0870 8307700**.
- Do not use replacement parts that are not recommended or supplied by Mamas & Papas. Non-approved parts may render the repair or highchair unsafe.



AFTER SALES SERVICE: If you need assistance, spare parts or you are unhappy with any of the goods please contact **Customer Services** on: **0870 8307700**, or e-mail us at: **customer.services@mamasandpapas.com**
 Visit our website at **www.mamasandpapas.com** for the latest product information.

Due to constant updating and improvements, some components may occasionally differ slightly from the diagrams shown in these instructions. Any spare components should only be thrown away after you have **fully** constructed your product. We reserve the right to change the specifications of any piece of product without prior notice.

ALL OUR PRODUCTS ARE MADE FROM THE FINEST QUALITY MATERIALS AND ARE MANUFACTURED UNDER THE STRICTEST QUALITY CONTROLS

We guarantee all our products or part thereof, for a period of six months from the date of purchase against faulty manufacture. This guarantee is not effective against damage caused as a result of incorrect usage of the product or accidental damage. This in no way affects your statutory rights.

GUARANTEE

To validate this guarantee, fill in this coupon and return to: **Mamas & Papas, Colne Bridge Rd, Huddersfield, HD5 0RH**
 Alternatively, call our Guarantee Registration Line on: **0870 8307700** or visit our website: **www.mamasandpapas.com**

Title (Mr/Mrs/Miss/Ms) First name..... Surname.....
 Address
 Postcode.....
 Daytime Tel. No. Email.....
 Baby’s due date/date of birth.....
 Product purchased **Cuisine Highchair** Purchase date..... Price.....
 If you would like to receive further information regarding new products, promotions and special offers from Mamas & Papas please tick the boxes indicating your preferred method(s) of contact. Post ; Email .

If you would like to receive information from carefully selected 3rd parties please tick the boxes indicating your preferred method(s) of contact. Post ; Email .

