

RESISTANT

Filling material(s) and covering fabric(s) meet the requirements for resistance to cigarette and match ignition in the 1988 safety regulations.

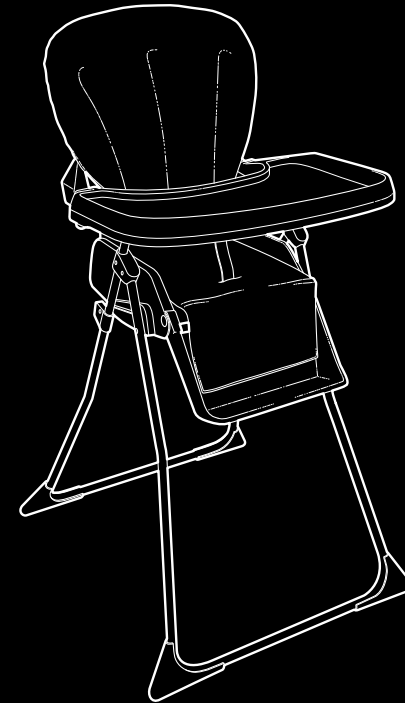
**CARELESSNESS
CAUSES FIRE**

www.mamasandpapas.co.uk

Mamas & Papas Limited
Colne Bridge Road
Huddersfield HD5 0RH

customer care helpline: 01484 438222
customer care e-mail: customer.care@mamasandpapas.co.uk

instructions



café junior highchair

IMPORTANT: Please read instructions carefully and keep for future reference

Mamas & Papas

CAFÉ JUNIOR HIGHCHAIR

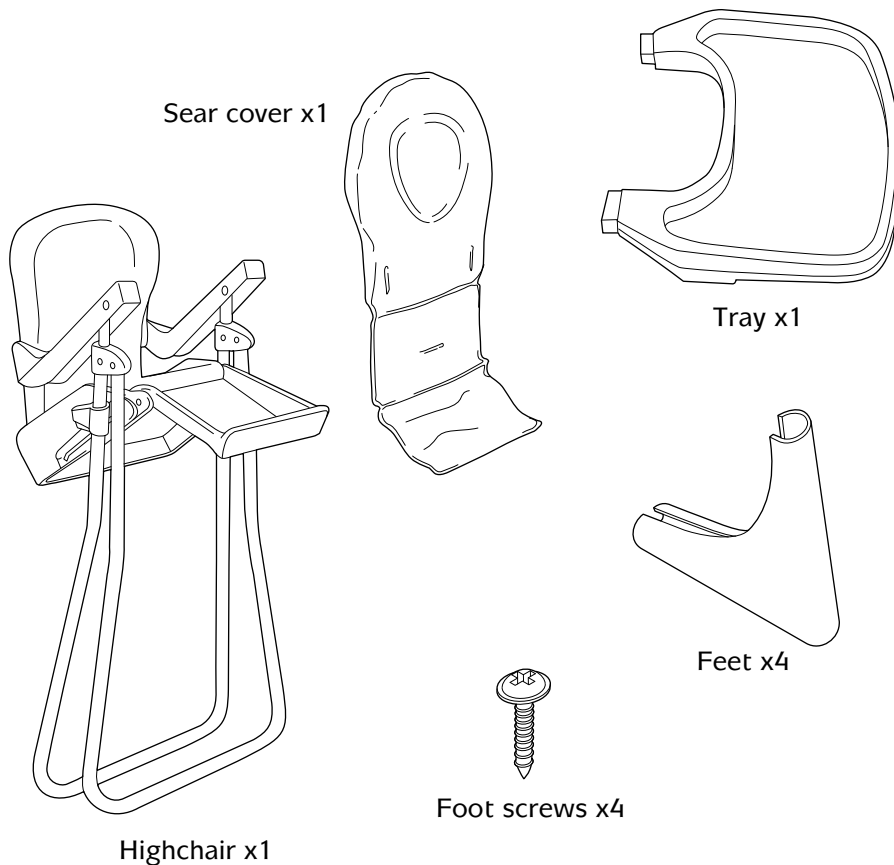
THESE INSTRUCTIONS ARE IMPORTANT. PLEASE READ CAREFULLY AND RETAIN FOR FUTURE REFERENCE.

The correct use and maintenance of your highchair will ensure it gives long and trouble-free use. When somebody else is using your highchair ensure they also know how to use it, especially the way to fold and unfold it and the use of the safety locks. The safety of your child is your responsibility.



AFTER SALES SERVICE: If when you receive your Mamas & Papas product you need assistance, spare parts or if you are unhappy with any aspect of the goods please **contact our Customer Care Helpline on: 01484 438222**, or e-mail us on **customer.care@mamasandpapas.co.uk** where one of our trained advisors will be able to help you in order to avoid having to return your product to the retailer. You can also visit our website at **www.mamasandpapas.co.uk** for the latest product information.

COMPONENTS

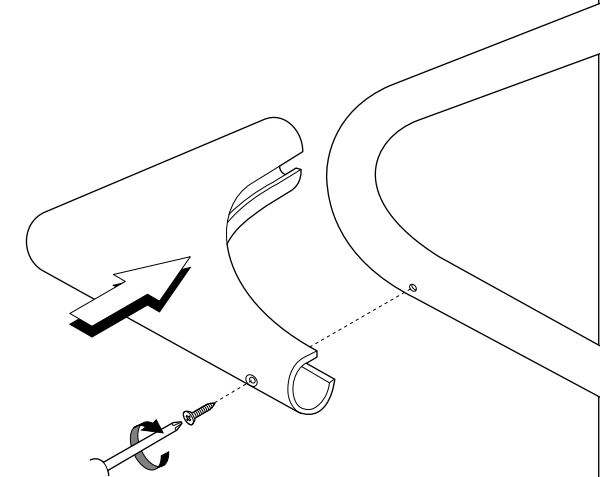


ATTACHING THE FEET

Before you can use the highchair the feet must be fitted.

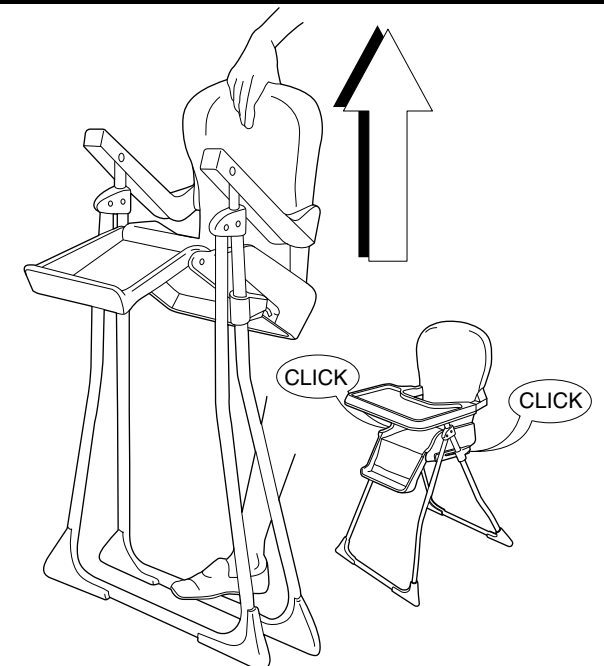
Align the holes in the bottom of the feet with the holes in the highchair legs then slot the feet over the highchair legs.

Fix the feet into position by pushing a foot screw into each hole and then tighten into the frame using an appropriate screwdriver.



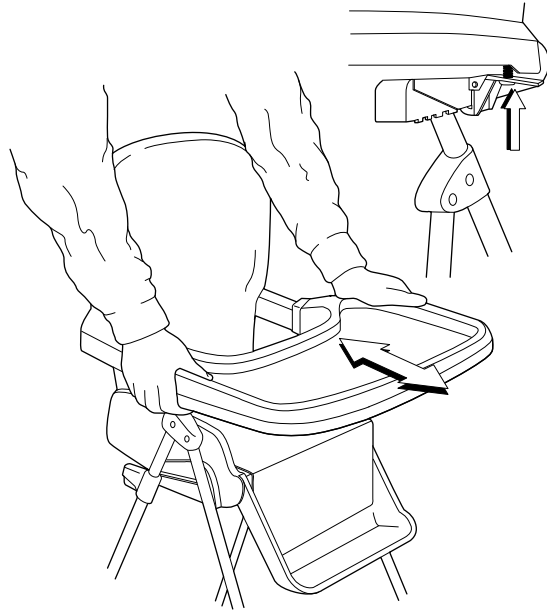
OPENING THE HIGHCHAIR

Place your foot on the bottom of the rear leg. Pull the top of the backrest upwards until the safety locks on the sides of the highchair make an audible click and the frame is firmly locked into position. Ensure both of the left and right locking clips are fully engaged (see insert) by attempting to gently force the front and back legs together before continuing.



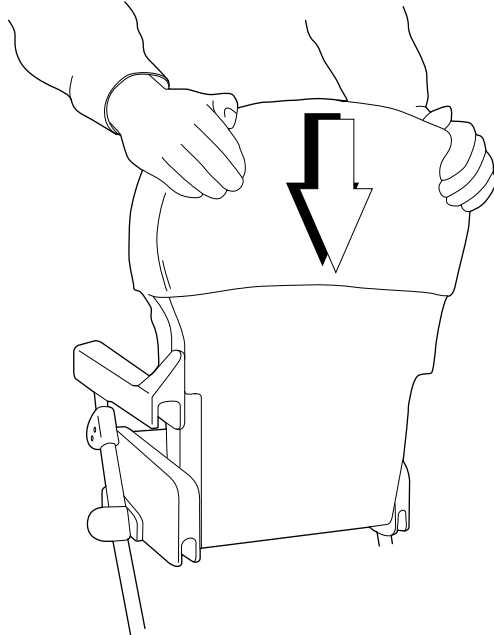
FITTING THE TRAY

To fit the tray, stand behind the highchair and push the two clips under the sides of the tray upwards and hold. Slot the ends of the highchair arms into the recesses in the rear of the tray. Slide the tray along into one of its four positions and release the clips under the tray. Push the tray forwards or backwards until it locks into position. To remove the tray, release the two clips on the underside of the tray and side of the arms.



FITTING THE PVC COVER

Slip the pocket on the back of the PVC cover over the back of the seat. Push the cover down until the seat pad of the cover rests on the base of the seat unit.



OPERATING THE HARNESS

Operating the harness

A: Locking the harness:

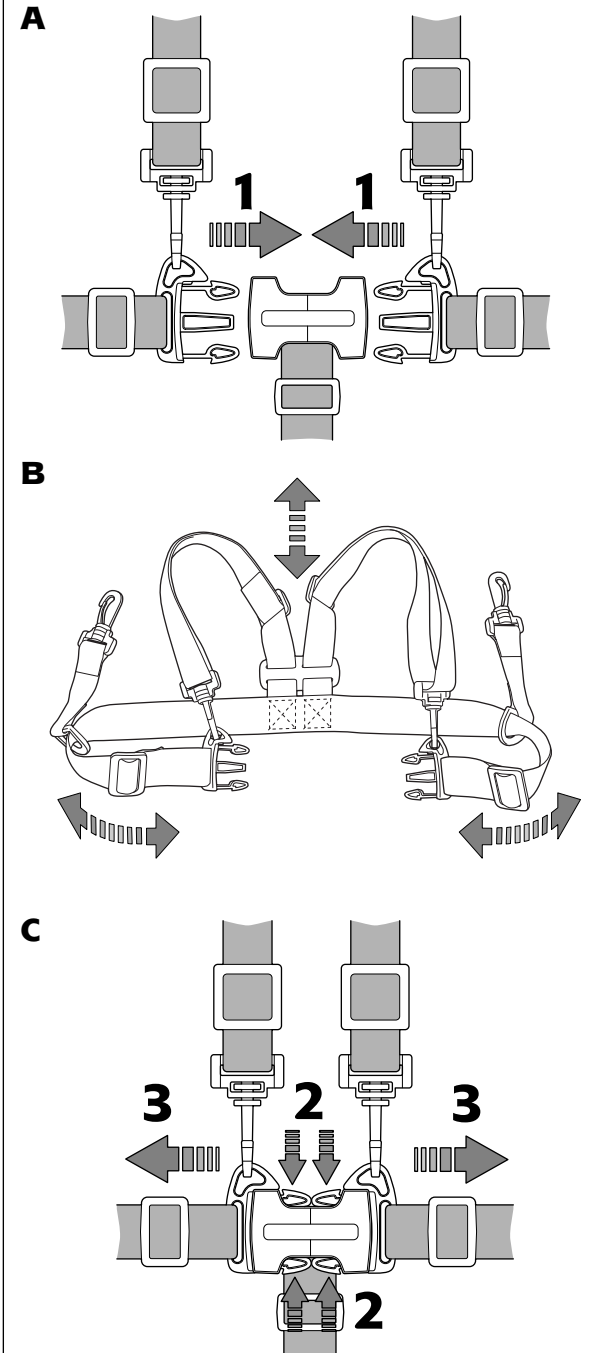
Push the tongues on the end of the waist straps into the crotch strap buckle (1). The harness will automatically lock when the tongues have been fully pushed in.

B: Adjusting the harness:

To adjust the length of the harness, slide the buckles on the waist band and shoulder straps forwards or backwards until the desired length is reached.

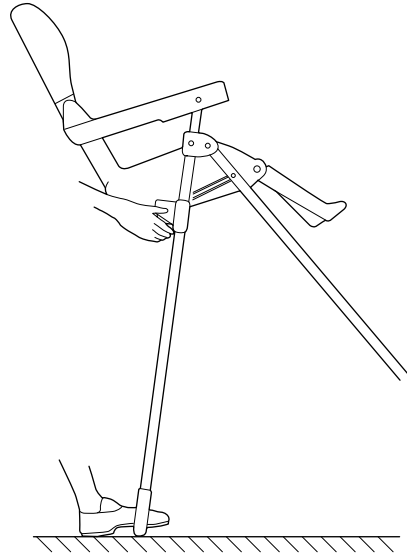
C: Unlocking the harness:

Squeeze the ends of the tongues together (2) and then slide them out of the buckle (3) on the crotch strap. Your child can now be removed from the highchair.

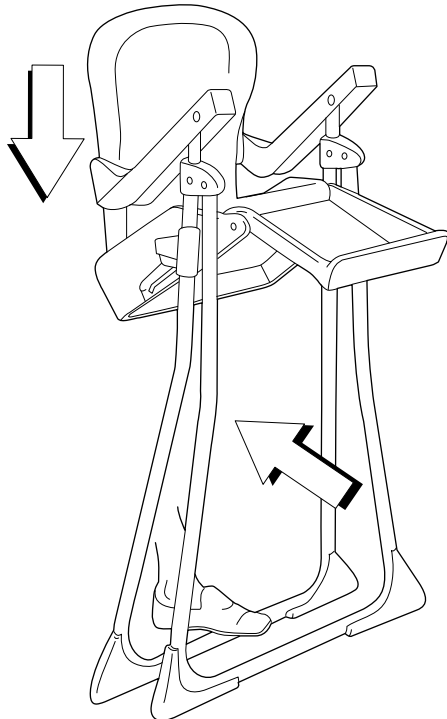


FOLDING THE HIGHCHAIR

Place your foot on the bottom of the rear leg and release the locks on the left and righthand sides of the highchair.



Push down on the seat's backrest whilst swinging the highchair backwards onto its rear leg allowing the highchair to fold together.



Once the highchair is folded place it away from children and never allow them to play with the highchair.

INSTRUCTIONS FOR SAFE USE

1. **WARNING: A CHILD'S SAFETY IS YOUR RESPONSIBILITY.**
2. **DO NOT LEAVE YOUR CHILD UNATTENDED.**
3. Always use a safety harness. Ensure the safety harness is snugly tightened around the child's waist.
4. The plastic 'D' rings in the corner of the seat can be used to attach an alternative safety harness.
5. Ensure that all hazards such as small objects, sharp or hot items, or electrical flexes are kept out of your child's reach.
6. Always ensure the highchair is on a level stable surface before use.
7. Always ensure your child is clear of moving parts before making adjustments.
8. Exposed edges of PVC covers are often the first to wear. Remember this as you transport, handle and store your highchair.
9. Check your highchair regularly, particularly safety locks, harness and 'D' rings for wear, security and performance. No lubrication is necessary.
10. Do not use if components or fittings are worn, damaged or missing. Do not use replacement parts that are not recommended or supplied by Mamas & Papas. Non-approved parts may render the repair or highchair unsafe.

CLEANING:

Clean your highchair with a damp cloth or sponge and mild detergent. Do not use abrasives or bleach.



AFTER SALES SERVICE: If when you receive your Mamas & Papas product you need assistance, spare parts or if you are unhappy with any aspect of the goods please **contact our Customer Care Helpline on: 01484 438222**, or e-mail us on customer.care@mamasandpapas.co.uk where one of our trained advisors will be able to help you. You can also visit our website at www.mamasandpapas.co.uk for the latest product information.

I0175: V3/10/03

ALL OUR PRODUCTS ARE MADE FROM THE FINEST QUALITY MATERIALS AND ARE MANUFACTURED UNDER THE STRICTEST QUALITY CONTROLS

We guarantee all our products or part thereof, for a period of six months from the date of delivery to the consumer against faulty manufacture. This guarantee is not effective against damage caused as a result of incorrect usage of the product or accidental damage. This in no way affects your statutory rights.

GUARANTEE

To validate this guarantee, please fill in the coupon and return to:
Mamas & Papas Ltd, Colne Bridge Road, Huddersfield, West Yorkshire, HD5 0RH.
 Or alternatively, call our Guarantee Registration Line on: 01484 438225 with your details.

Name Address

..... Postcode

Baby's D.O.B Retailer Home Phone No.

Item purchased **Café Junior Highchair** Purchase Price Date

By validating your guarantee, your information will be entered onto our database. If you do not wish to receive information from other reputable companies, please let us know.